

MSD[®] IGNITION INSTALLATION INSTRUCTIONS

MSD 6 HVC Professional Racing Ignition with Deutsch Connectors PN 6601

IMPORTANT: Read instructions thoroughly before attempting installation.

The MSD 6 HVC Professional Racing Ignition, PN 6601, is equipped with a new style Deutsch connector. As of 2/5/04, this connector is NOT approved for use in NASCAR competition. The NASCAR approved connectors are installed on the MSD PN 6600 Ignition.

Parts Included:

1 - Ignition Control	1 - 2-Pin Deutsch Wiring Harness
1 - 6-Pin Deutsch Wiring Harness	1 - 1-Pin Weathertight Wiring Harness
	4 - Vibration Mounts

IMPORTANT: Due to the ignition's increased output the MSD HVC Coil, PN 8250 is the **only coil** that can be used with MSD 6 HVC Ignitions.

MOUNTING

The Ignition can be mounted in any position and may be mounted in the engine compartment however, it should be kept clear of direct engine heat sources. Use the Ignition as a template to mark the location of the mounting holes. Using a 3/16" drill bit, remove the ignition and drill the holes. Install the vibration mounts and the ignition.

WIRING

Figure 1 shows the position, color and function of each wire. The following Figures show common wiring schematics.

Triggering

The MSD can be triggered by points, amplifier or with a magnetic pickup.

Points: The single White wire of the MSD is for points triggering. It connects to the points/amplifier output wire of the distributor.

Magnetic Pickup: The Magnetic Pickup wires are in the 6-Pin connector. The Mag Positive(+) wire is Violet, the Mag Negative(-) is Green. They are in the terminals marked "3" and "4".

Rev Control: The 4-Pin connector of the Ignition plugs directly into an MSD PN 8738 Rev Control. This allows you to set a rev limit with plug-in modules.

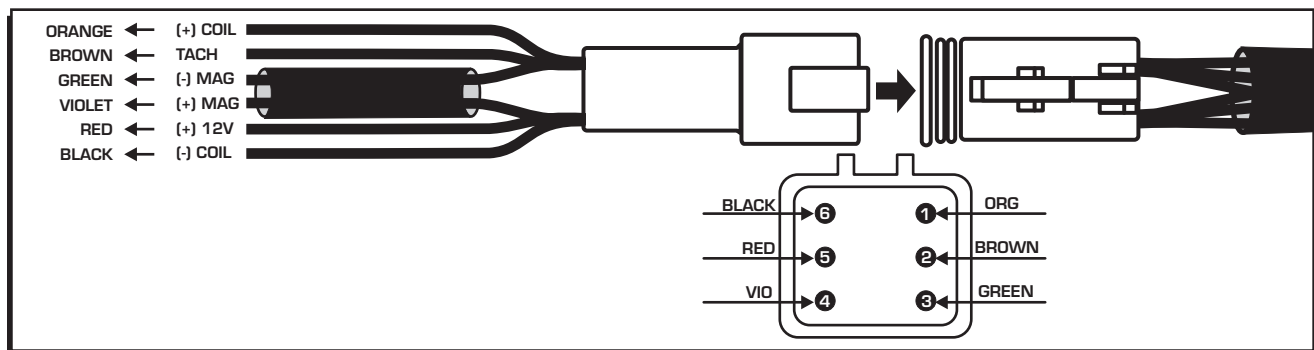


Figure 1 The Color, Function and Position of Each Wire.

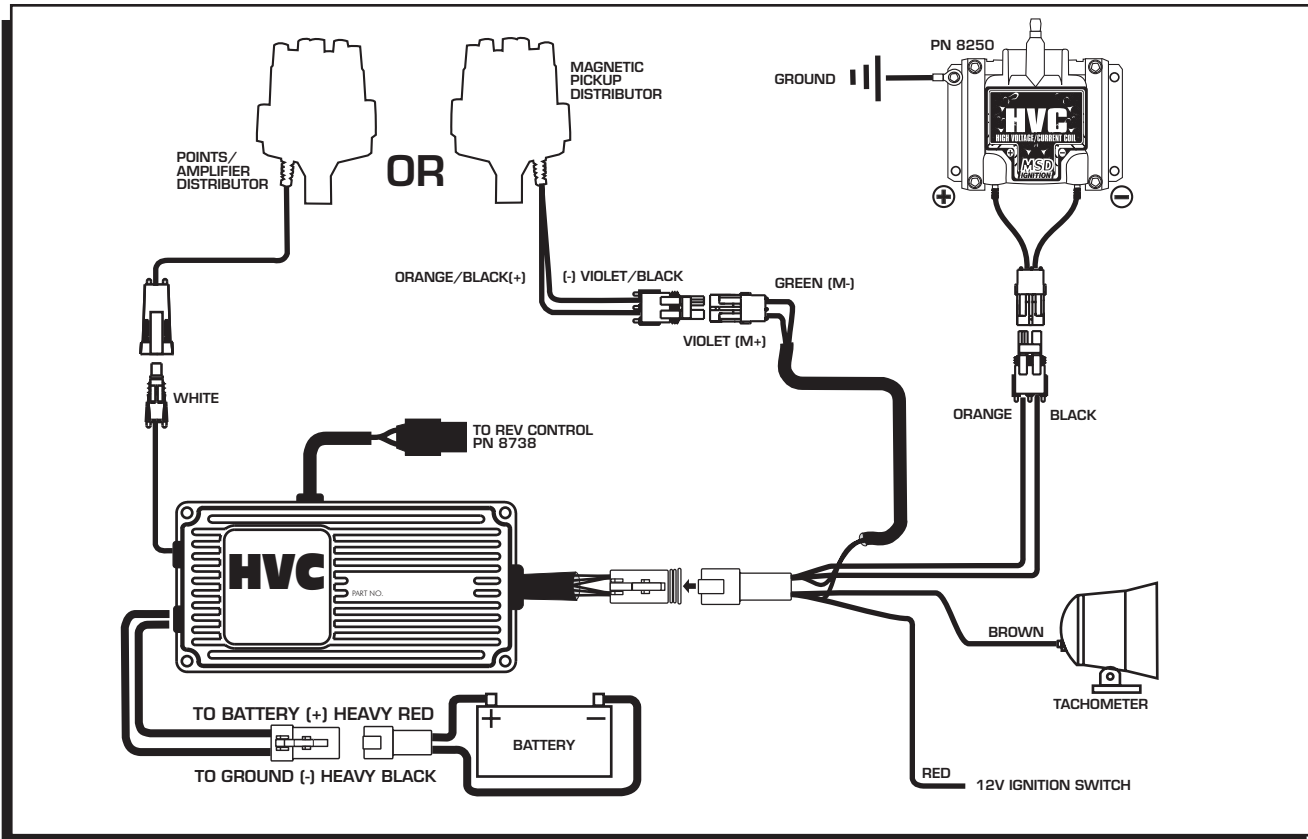


Figure 2 General Installation.

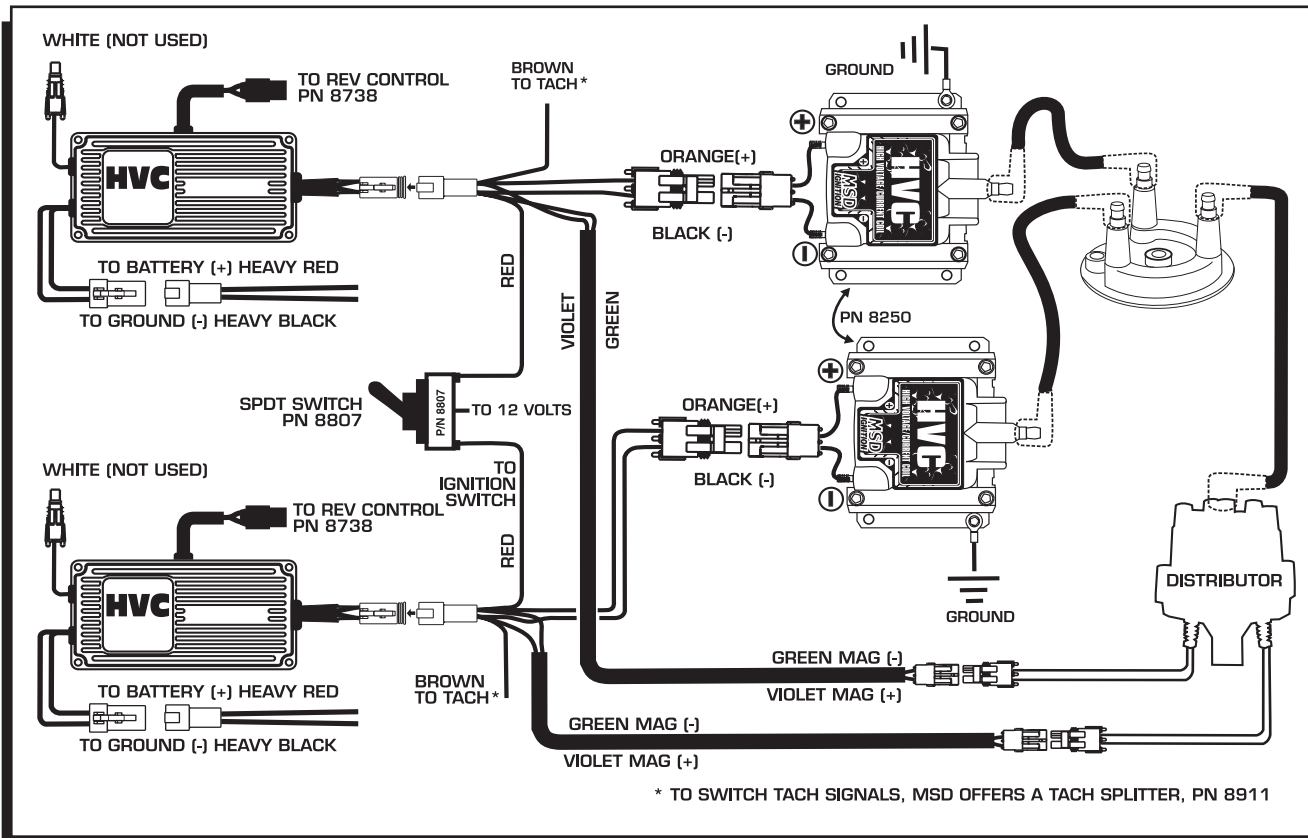


Figure 3 Dual Ignitions and Coils with a Dual Pickup Distributor.

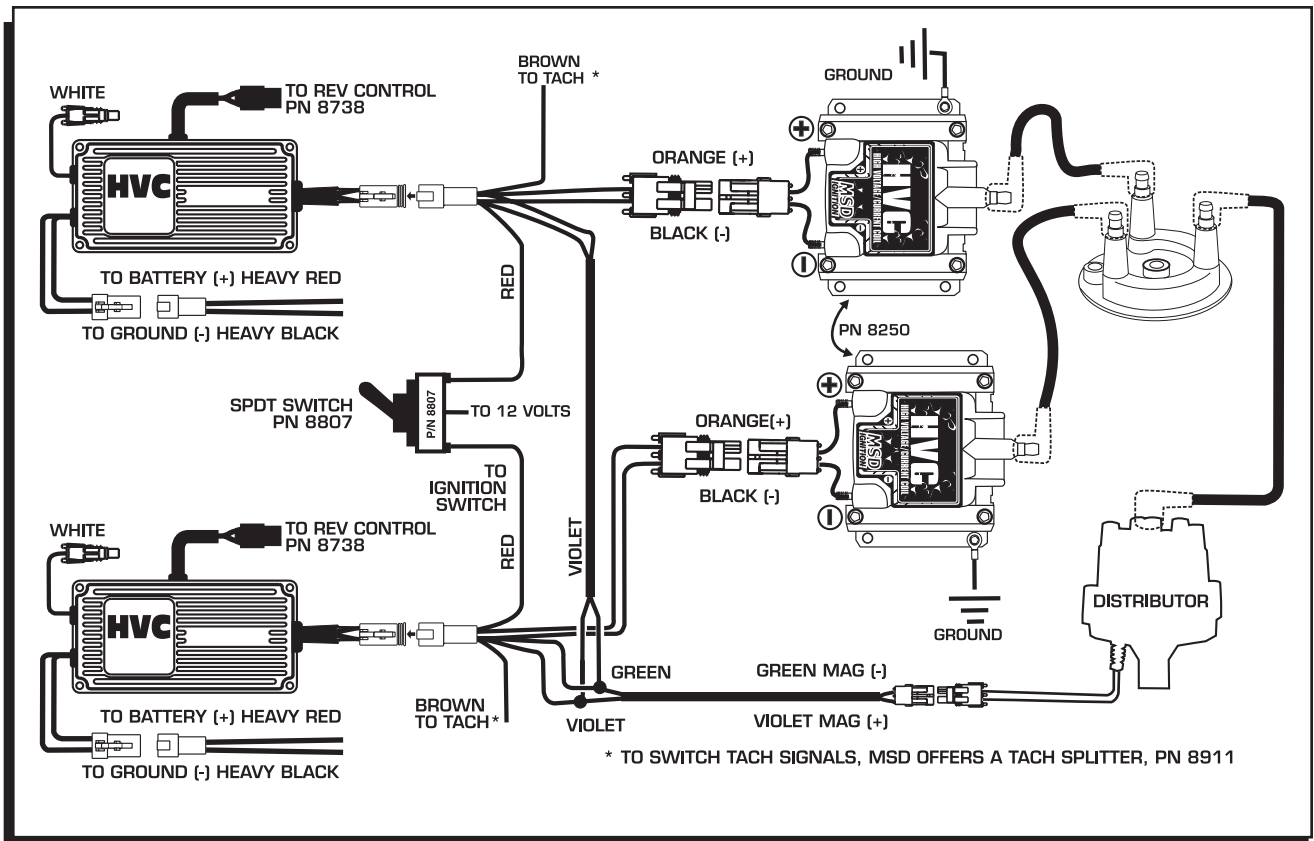


Figure 4 Dual Ignitions and Coils with a Single Pickup Distributor.

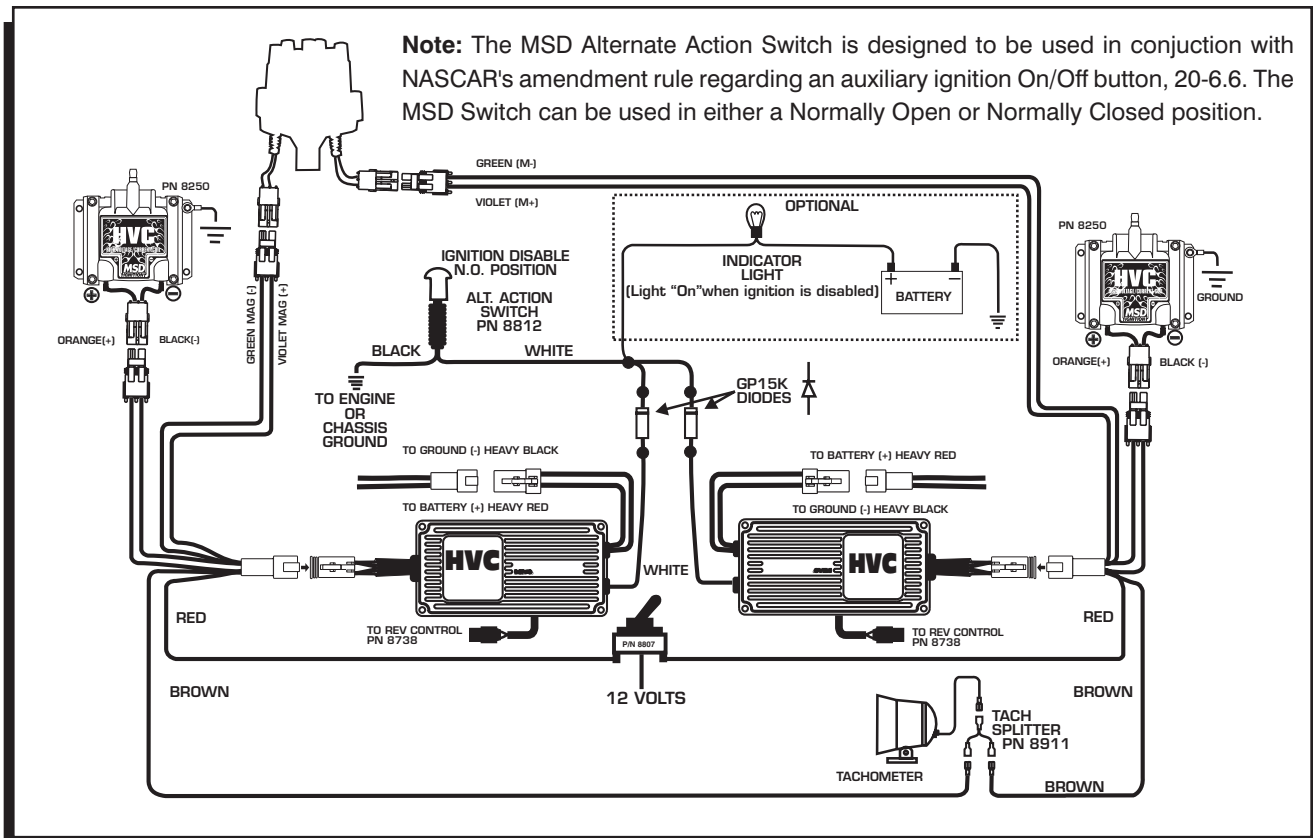


Figure 5 Complete Wiring with Tach Splitter and Alternate Action Switch.

