

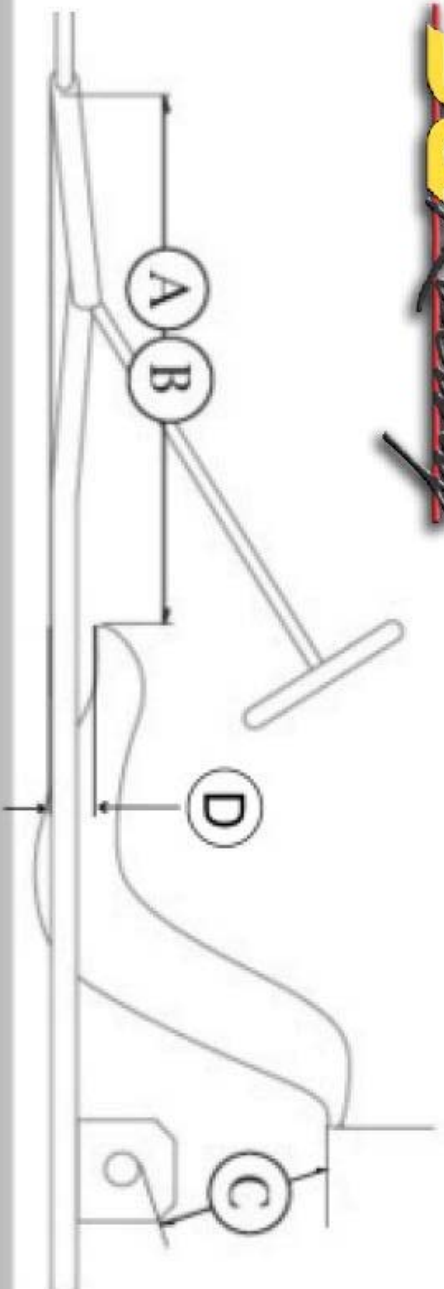
A — 610 mm

B — 620 mm

C* — 220-230 mm

D** — 85 mm

50 Racing



These measurements are a baseline for ML seat and a driver of average height. Measurements may vary with different seat sizes or different driver heights. All attempts should be made to maintain the seat angle.

* Measurement taken with 50mm Axle and longest wheelbase position